

# AUTOPHIX v1.00

## **ATTENTION!!!!!!**

**The device is intended for legal use to demonstrate the anti-theft protection of cars, the necessary legal evacuation of cars from unauthorized parking areas by employees of car service centers and evacuation services. Any use of the device for illegal purposes is punishable by law!**

## **ATTENTION!!!!!!**

**The device is intended for legal use to demonstrate the anti-theft protection of cars, the necessary legal evacuation of cars from unauthorized parking areas by employees of car service centers and towing services. Any use of the device for illegal purposes is punishable by law!**

**The device is designed to disarm TOYOTA/LEXUS cars by connecting to the car's internal CAN data bus, as well as car key emulation. The device allows you to save vehicle data in the internal memory, in separate cells. The device also implements diagnostic functions of the security system.**

**The device package includes the device itself and two cables.**

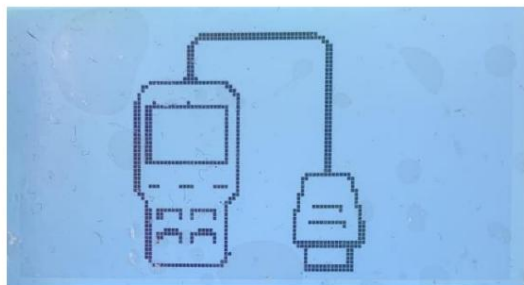
## **Work devices.**

**The device operates in two modes:**

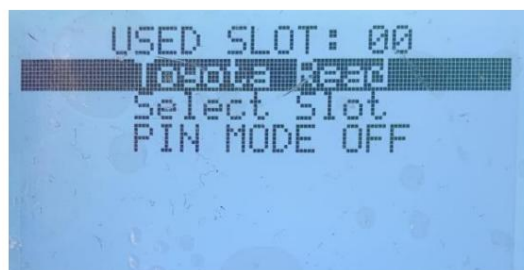
- 1. Mode for disarming** and unlocking car doors;
- 2. Key transponder emulation mode;**

**When the device is turned on, by default, the data of the last used memory cell is loaded into the transponder memory. To emulate previously saved transponders, you must select the appropriate cell.**

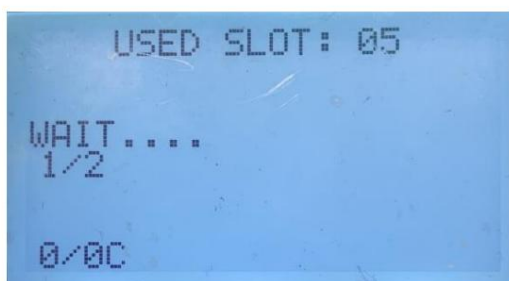
## Operating procedure.



When the device is turned on, a diagnostic symbol is displayed on the screen. The device is in Pin code input mode. After entering it, the working screen lights up with the lines:



1. selected cell; 2. Menu item reading data and unlocking car doors; 3. Menu item "select active cell"; 4. Item for selecting the active state Pin code;



By default, the device is in transponder emulation mode. If you select the "Toyota/Read" menu item, the vehicle data will be written to the first free memory cell. The reading process is displayed on the screen. The top line displays the number of the active cell in which the read data will be stored. At the end of the procedure, an inscription about this will appear on the screen, as well as the number of keys recorded in the car, the type of key, and the SMART module software number.



To independently select the active cell, you must select the second menu item "Select Slot". If a filled cell is selected, the car data stored in it will be loaded into the emulator's memory. To clear a cell, select it using the menu keys and press and hold the **EXIT** key until its state changes to **EMPTY**.



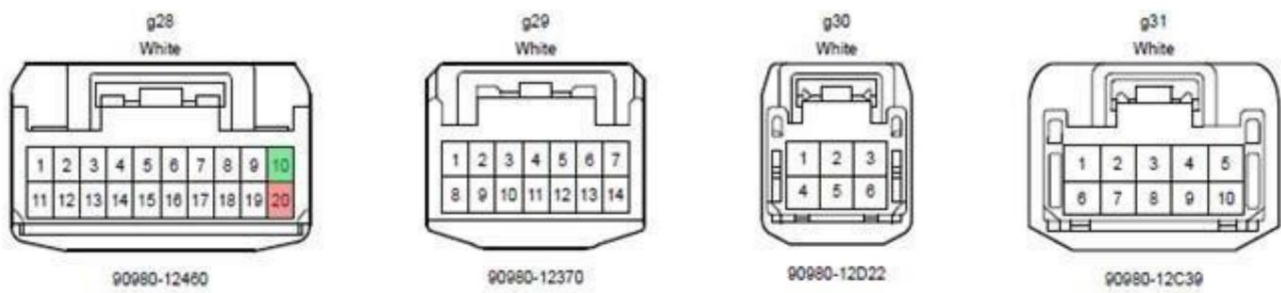
Depending on the selected PIN mode code the device will turn on either locked or unlocked. To change the PIN code mode, you must select the menu item **PIN MODE ON (OFF)**. In this case, the state of the mode will change to the opposite. Menu item

displays the enabled state of the mode.

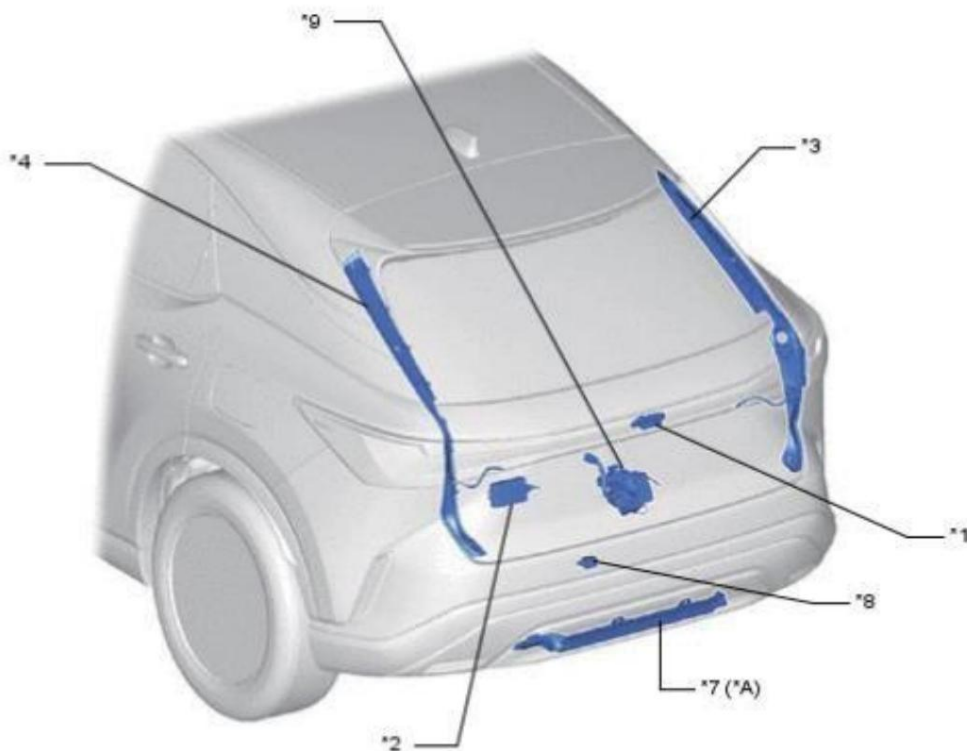
In emulator mode, the device performs the functions of a transponder. When you press the "START" button of the car, you must bring the device to this button to allow the start.

If the car is locked, all doors are locked, access to the digital CAN bus is possible only through the connector of the left headlight control unit.

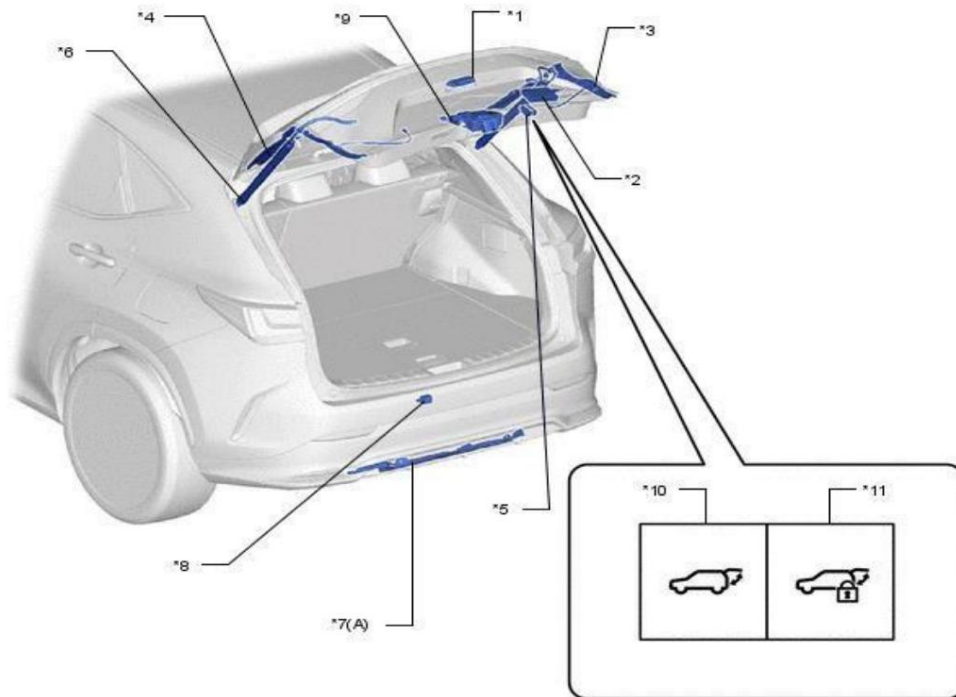
From 02/2023 this access to the required circuit is no longer possible. Since the manufacturer made changes to the electrical circuit of the car. In this case, access is possible through the connector of the trunk door control module. To do this, you need to make a hole opposite the corresponding connector. In the figure below, in connector g28, pins **10 (CAN HI)** and **20 (CAN LOW)** are CAN bus pins.



Multiplex Network Door ECU module connectors door.

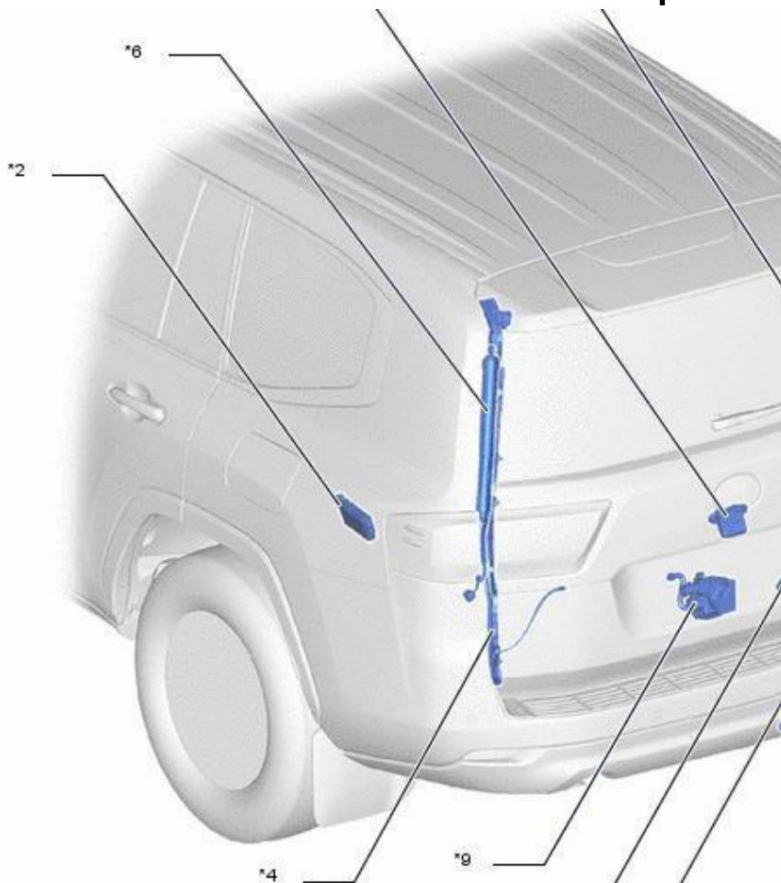


### LEXUS RX: Multiplex Network Door ECU No. 2 in the picture

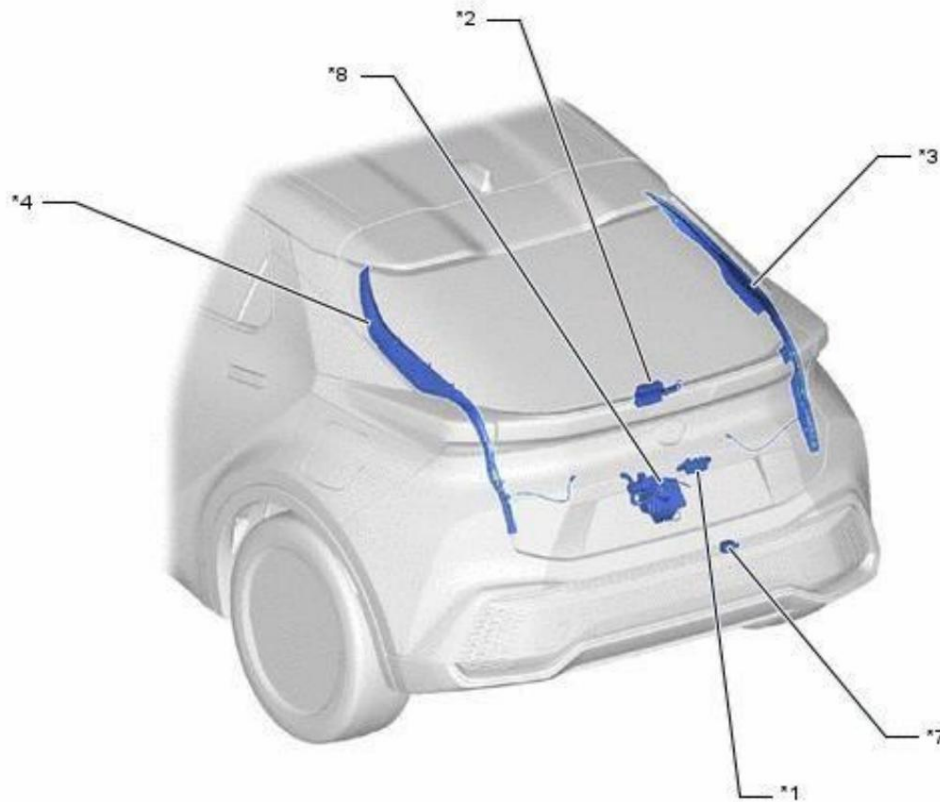


H

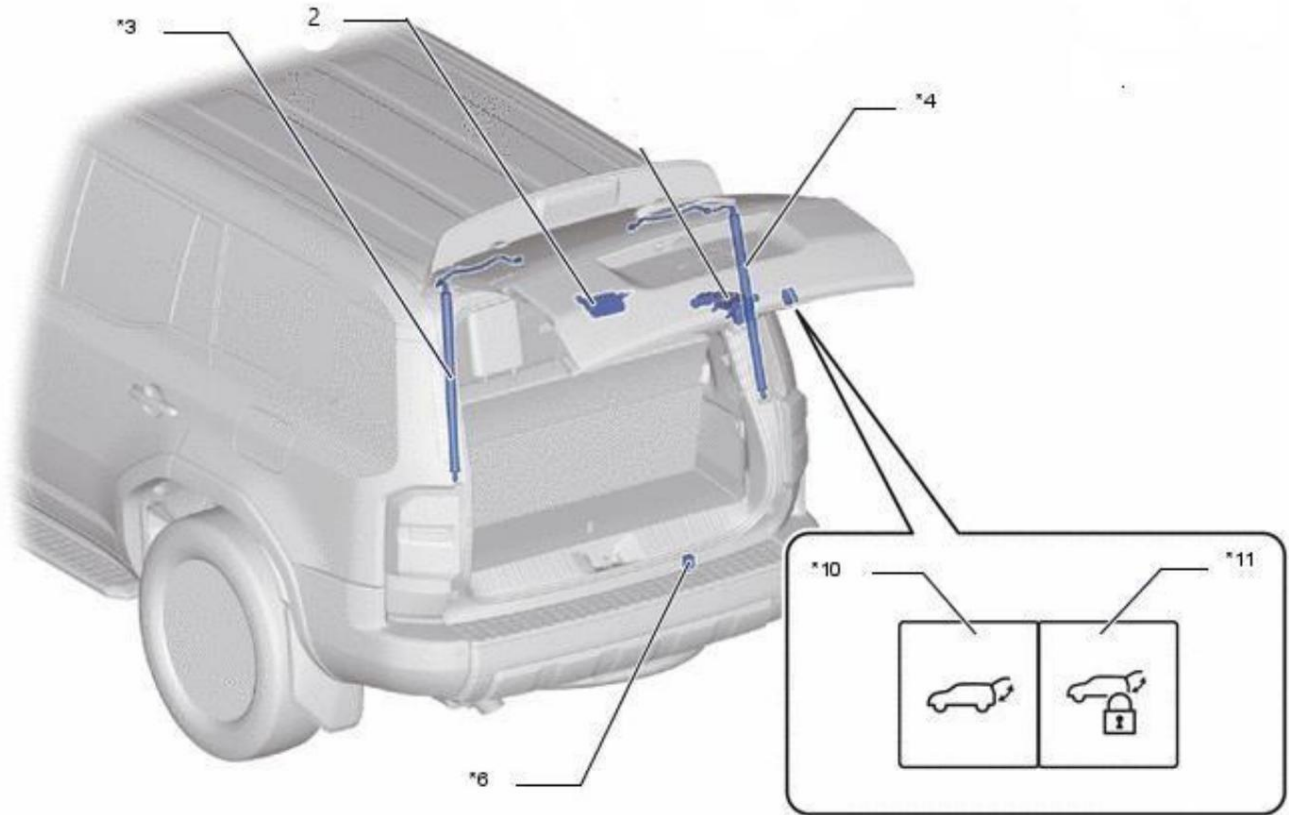
### LEXUS LEXUS NX: Multiplex Network Door ECU No. 2 in the picture



### TOYOTA LAND CROUSER 300: Multiplex Network Door ECU No. 2 in the picture.



**TOYOTA CHR: Multiplex Network Door ECU No. 2 in the picture**



**TOYOTA LAND CROUSER PRADO: Multiplex Network Door ECU No. 2 in the picture.**